



Installation, Operation and Maintenance Manual

Audio@Home®

mr.steam® | Feel Good Inc.®

# IMPORTANT SAFETY INFORMATION

## READ ME FIRST:

1. Read and follow all instructions within this technical manual.
2. Heed all warnings, cautions, notices, and important notes.
3. Save this technical manual and leave with the homeowner.

## ABOUT WARNINGS, CAUTIONS, NOTICES, AND IMPORTANT NOTES:

As you follow the instructions in this technical manual, you will see four types of callouts:

**WARNINGS, CAUTIONS, NOTICES, and IMPORTANT NOTES.** This blocked information is important for the safe and efficient installation, maintenance, and operation of the Audio@Home. These callouts are described as follows:

**WARNING** Indicates a potentially hazardous situation, which, if not avoided, may result in death or serious injury.

**CAUTION** Indicates a potentially hazardous situation, which, if not avoided, may result in minor or moderate injury.

**NOTICE** Indicates a situation, which, if not avoided, may result in property damage.

**IMPORTANT NOTE** Indicates information that is especially relevant to a problem-free installation.

## SAFETY INSTRUCTIONS:

To prevent personal injury and or product damage, please read the following important safety instructions carefully before installing the Audio@Home:

- Do not install the Audio@Home near any heat sources.
- Clearance and minimum distance between the Audio@Home and the surrounding structure are not specified as long as they are sufficient so that the ambient temperature around the apparatus does not exceed 140 °F (60 °C).
- Protect the power cord from being walked on or pinched, particularly at plugs, convenience receptacles, and at the point where the cord exits from the apparatus.
- Only use attachments/accessories specified by the manufacturer.
- All servicing to be performed by qualified service personnel. Servicing is required when the Audio@Home is damaged in any way, including when the power-supply cord or plug is damaged, liquid is spilled into or objects fall into the Audio@Home is exposed to rain or moisture, the Audio@Home does not operate normally, or the Audio@Home dropped.
- Do not disassemble or alter the Audio@Home in any way.
- Clean the Audio@Home with a dry cloth only. Beware of the application of some products commonly used against corrosion (such as WD-40® family products), as some industrial oils can have negative chemical reactions and damage the housing materials of the Audio@Home. Any other materials that may come in contact with the Audio@Home must be carefully evaluated under end-use conditions for compatibility.

### **WARNING**

These instructions are for use by qualified service personnel only. To reduce the risk of electric shock, do not perform any servicing, other than that contained in these instructions.

**NOTE:** All information in this technical manual is based on the latest product information available at the time of publication. Sussman-Automatic Corporation reserves the right to make changes at any time without notice.

## IMPORTANT SAFETY INFORMATION (cont.)

### WARNING

Before installing or connecting the Audio@Home, please read the following:

- To prevent a shock hazard, do not disassemble or alter the Audio@Home.
- To prevent over temperature shutoff and equipment damage, do not use foam to insulate the Audio@Home.
- To prevent a shock hazard, turn power off before servicing or changing any cable connections in the Audio@Home.
- To prevent electric shock hazard and/or water damage to the Audio@Home, all conduits must be plugged with the included foam blocks.
- To prevent a shock hazard do not install the Audio@Home in a location where it can get wet. Audio@Home must be installed in a dry, indoor location.
- Audio@Home must be disposed of separately in accordance with local waste disposal legislation.



### WARNING

- Risk of electric shock. Do not leave compartment door open.
- Risk of electric shock. Replace components only with identical components.
- Prevent electrocution. Do not connect any auxiliary components (for example cable, additional speakers, headphones, additional audio/video components, etc.) to the system.
- These units are not provided or intended to be connected to an outdoor antennae; to prevent electrocution only use the supplied antennae and install it in accordance with these instructions.
- Opening or removing covers may expose you to dangerous voltage or other risk of injury. All servicing to be performed by qualified service personnel.
- When the power supply connections or power supply cord(s) are damaged; if water is entering the audio/video compartment or any electrical equipment compartment area; if the protective shields or barriers are showing signs of deterioration; or if there are signs of other potential damage to the unit, turn off the unit and refer servicing to a qualified service personnel.
- This unit should be subjected to periodic routine maintenance (for example, once every 3 months) to make sure that the unit is operating properly.
- Product must be disposed of separately in accordance with local waste disposal legislation.

# TABLE OF CONTENTS

## INSTALLER INSTRUCTIONS

- 1. General information . . . . .5**
- Box Contents . . . . .5
- Audio@Home General Installation . . . . .5
- 2. Installing Audio@Home . . . . .6**
- Audio@Home Dimensions . . . . .6
- Locating and Installing Audio@Home . . . . .6
- 3. Connecting Audio@Home . . . . .7**
- Removing the Audio@Home Cover . . . . .7
- Connecting Speakers . . . . .8
- Connecting Audio@Home to the Steam Generator . . . . .8
- Pairing a Bluetooth-Enabled Device . . . . .9
- 4. Audio@Home Specifications . . . . .9**
- 5. Regulatory Statements . . . . .10**

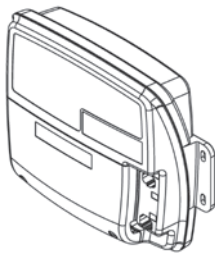
## HOMEOWNER/END-USER INSTRUCTIONS

- 6. About Audio@Home . . . . .11**
- 7. Operating Audio@Home . . . . .11**
- 8. Audio@Home Warranty . . . . .11**

# INSTALLER INSTRUCTIONS

## 1. General Information

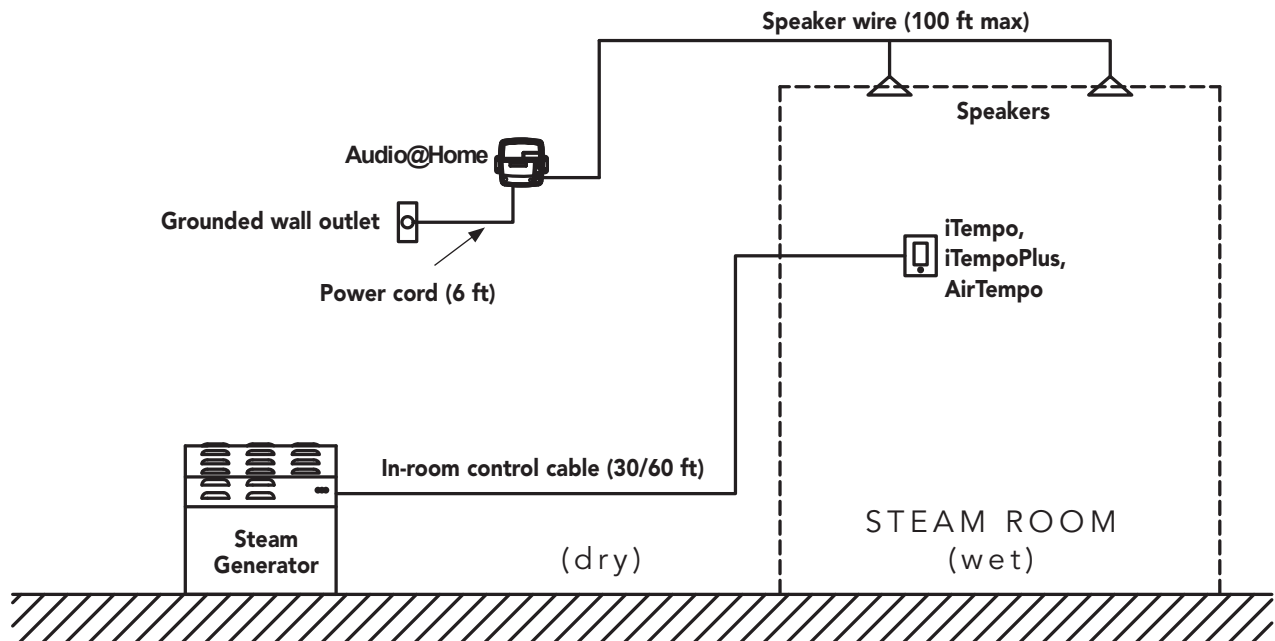
### Box Contents



**Audio@Home**

### Audio@Home General Installation

Figure 2 shows how to use the Audio@Home standalone system within your steam room (i.e., if your steam room does not use iSteam3).



**Figure 2**

All drawings are for illustrative purposes only.

## 2. Installing Audio@Home

### Audio@Home Dimensions

**Figure 3** shows the face-on dimensions of Audio@Home.

**Figure 4** shows the side-view dimensions of Audio@Home.

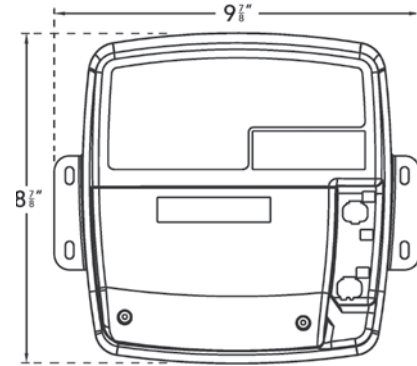
**WARNING** Shock hazard. Do not place the control box in a location where it can get wet.

### Locating and Installing Audio@Home

To prevent water from getting inside the device, Audio@Home should be mounted on two stable vertical surfaces (e.g., studs) as shown in **Figure 5**.

Using screws and washers, firmly attach Audio@Home using the upper mounting holes, one at a time, on each side of the unit. Repeat the process for the lower mounting holes (**Figure 5**).

**NOTICE** A clearance of at least 0.75" (19 mm) is required to ensure free heat circulation at the back of the unit.



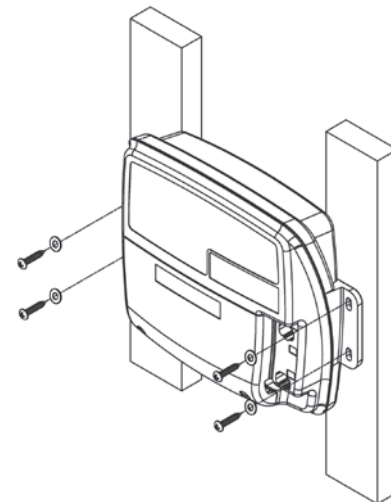
**Figure 3**



**Figure 4**

#### IMPORTANT NOTES

- The following materials (not included) are recommended to install Audio@Home:
  - Four #10 screws of appropriate length with round, truss, or pan head.
  - Four washers with 0.5" outer diameter x 0.0625" thickness (12 mm outer diameter x 1.5 mm thickness).
- To prevent over temperature shutoff and equipment damage, do not use foil insulation in front of Audio@Home.
- Place Audio@Home far from any electrical noise source, such as variable speed controls and motors, to prevent interference that will affect audio quality.
- In the event of an over temperature condition, Audio@Home automatically reduces the volume to protect the amplifier from damage.
- To prevent over temperature shutoff, do not locate in an attic or other location where ambient temperature may reach 140 °F (60 °C).



**Figure 5**

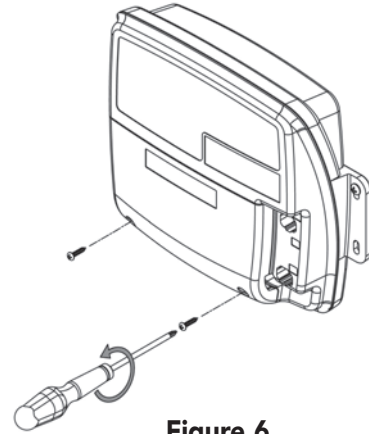
All drawings are for illustrative purposes only.

### 3. Connecting Audio@Home

(Audio@Home does not connect to the steam Generator)

#### **WARNING**

- To reduce the risk of electric shock, do not remove the screws on the back of Audio@Home. No user serviceable parts inside. Refer servicing to qualified service personnel.
- To prevent electric shock, do not connect Audio@Home to main power supply while the cover is removed.
- Audio@Home does not come with speakers and speaker wiring. The connection between Audio@Home and the speakers must be "Class 2 Wiring" and installed by qualified personnel.

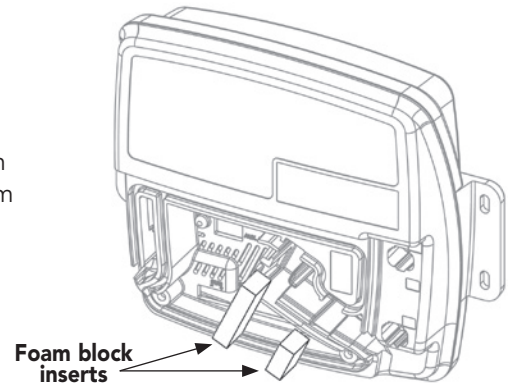


**Figure 6**

#### Removing the Audio@Home Cover

To remove the Audio@Home cover:

1. Using a Phillips-head screwdriver, remove the two cover screws from the front of the Audio@Home (**Figure 6**), and remove the cover from the unit.
2. Connect the outputs of Audio@Home as shown in **Figure 7**.
3. Remove the two foam block inserts from the inner wiring channels and set aside (**Figure 8**).



**Figure 8**

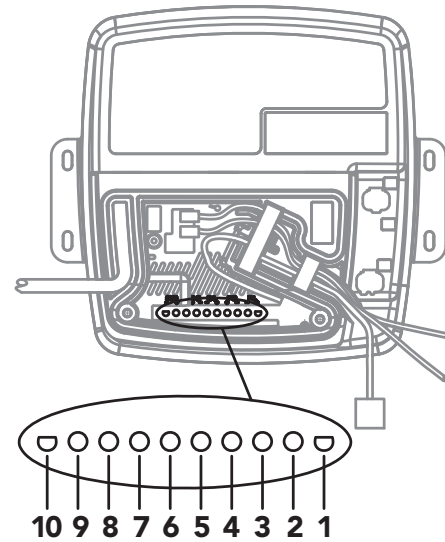
All drawings are for illustrative purposes only.

## Connecting Speakers

1. Connect individual speaker wires — or a 10-pin MATE-N-LOK adapter with attached wires — to the speaker outputs. Refer to **Figure 10** and **Figure 11** for connector identification.

**IMPORTANT NOTES**

- If you use individual speaker wires, the recommended socket crimping contact is an AWG 14-20 (TE Connectivity part number 350550-3).
- If you use a 10-pin MATE-N-LOK adapter with attached wires, the required housing connector is a 10-position Universal MATE-N-LOK (TE Connectivity part number 926302-3).



**Figure 10**

2. Route the wires through the molded relief channel. Connect the speaker wires to suitable speakers.

**IMPORTANT NOTE:** To avoid interference do not run speaker wires in the same conduit as or adjacent to power wiring.

CONNECTION	IDENTIFICATION	COLOR
1	Front Left speaker (+)	White
2	Front Left speaker (-)	White/Black
3	Front Right speaker (-)	Grey/Black
4	Front Right speaker (+)	Grey

**Audio@Home only uses positions 1, 2, 3 & 4**

**Figure 11**

Wire Size	Maximum Length
22 AWG	11 feet
20 AWG	19 feet
18 AWG	31 feet
16 AWG	48 feet
14 AWG	80 feet
12 AWG	119 feet
10 AWG	196 feet

3. Replace the foam block inserts (**Figure 9**).
4. Secure the cover using the two cover screws.

All drawings are for illustrative purposes only.



# Pairing a Bluetooth-Enabled Device

## To pair a Bluetooth-enabled device to Audio@Home:

1. Ensure that the mobile device is in range of Audio@Home, and that it is powered on and Bluetooth is turned on.
2. Open the Bluetooth settings on your device.
3. Select **AudioSteam** or **MrSteam** in the list of discoverable Bluetooth devices.
4. When prompted, enter the following passcode: **5555**.
5. Once the pairing is complete, select **AudioSteam** or **MrSteam** on your mobile device to connect to Audio@Home.

### IMPORTANT NOTES

- If the device moves out of range and loses connection, it should reconnect automatically with Audio@Home (without having to go through the pairing process again) when moved within range.
- Audio@Home will store up to eight devices in its memory. If one of the last three paired devices is in range and has Bluetooth turned on, it will automatically connect to Audio@Home.
- If multiple devices are within range and have already been paired with Audio@Home, priority will be given to the device that was first detected in the Audio@Home memory.

## 4. Audio@Home Specifications

### ENVIRONMENTAL RATINGS

Operating temperature:	-4 °F (-20 °C) to 140 °F (60 °C)
Storage temperature:	-22 °F (-30 °C) to 185 °F (85 °C)
Humidity:	70% max
Water resistance:	IPX5

### MECHANICAL

Weight:	3.6 lb (1.64 Kg)
Dimensions (W x H x D):	9.81" x 2.58" x 8.88" (249 mm x 65 mm x 226 mm)

### LINE INPUT

Input voltage:	100-240VAC 50/60Hz
----------------	--------------------

### AUDIO OUTPUTS

Maximum number of speakers:	2
Audio amplifier type:	Class D
Output power (speaker output):	25 WRMS , 50 W peak
Output impedance (speaker):	4-8 Ohms
Harmonic distortion (speaker):	0.015% at 1 W (1 KHz)
Frequency response (speaker):	5 Hz to 20 KHz F

### BLUETOOTH RECEIVER

Frequency band:	2400 MHz to 2483.5 MHz
Transmit power:	Class 2, 4 dBm
Bluetooth version:	Bluetooth v4.1
Antenna type:	Modular integrated
Profiles supported:	A2DP, AVRCP

### APPLICABLE STANDARDS

UL 60065
CAN/CSA-C22.2 No. 60065-03
EN 60065
AS/NZS 60065

Audio@Home is compliant with the Radio Equipment Directive (RED)



## 5. Regulatory Statements

### FCC Compliance Statement

#### Contains Transmitter Module FCC ID: A8TBM23SPKXYC2A

This device complies with Part 15 of the FCC Rules. Operation is subject to the following two conditions: (1) this device may not cause harmful interference, and (2) this device must accept any interference received, including interference that may cause undesired operation.

#### Note:

This equipment has been tested and found to comply with the limits for a Class B digital device, pursuant to part 15 of the FCC Rules. These limits are designed to provide reasonable protection against harmful interference in a residential installation. This equipment generates, uses and can radiate radio frequency energy, and if not installed and used

in accordance with the instructions, may cause harmful interference to radio communications. However, there is no guarantee that interference will not occur in a particular installation. If this equipment does cause harmful interference to radio or television reception, which can be determined by turning the equipment off and on, the user is encouraged to try to correct the interference by one or more of the following measures:

- Reorient or relocate the receiving antenna.
- Increase the separation between the equipment and receiver.
- Connect the equipment into an outlet on a circuit different from that to which the receiver is connected.
- Consult the dealer or an experienced radio/TV technician for help.

**Caution:** To assure continued compliance, any changes or modifications not expressly approved by the party responsible for compliance could void the user's authority to operate this equipment.

#### FCC RF Exposure Statement

The device has been evaluated to meet general RF exposure requirement. The device can be used in portable exposure condition without restriction.

### IC Compliance Statement

#### Contains transmitter module IC: 12246A-BM23SPKXYC2

This device complies with Industry Canada licence-exempt RSS standard(s). Operation is subject to the following two conditions: (1) this device may not cause interference, and (2) this device must accept any interference, including interference that may cause undesired operation of the device.

**Caution:** To assure continued compliance, any changes or modifications not expressly approved by the party responsible for compliance could void the user's authority to operate this equipment.

#### RSS-102 RF Exposure Statement

This equipment complies with Industry Canada radiation exposure limits set forth for an uncontrolled environment.

# HOMEOWNER/END-USER INSTRUCTIONS

## 6. About Audio@Home

Audio@Home offers you the perfect means to bring music into your steam room. Audio@Home is compatible with bluetooth devices.

Audio@Home can connect to two speakers.

### IMPORTANT NOTES

- If a Bluetooth-connected device moves out of range and loses connection with Audio@Home, it should reconnect auto-matically with Audio@Home (without having to go through the pairing process again) when moved within range.
- Audio@Home will store up to eight devices in its memory. If one of the last three paired devices is in range and has Bluetooth turned on, it will automatically connect to Audio@Home.
- If multiple devices are within range and have already been paired with Audio@Home, priority will be given to the device that was first detected in the Audio@Home memory.

## 7. Operating Audio@Home

Audio@Home is controlled by any music app installed on a bluetooth enabled device

## 8. Audio@Home Warranty

To view or download the **MrSteam® Accessory Warranty** and register your product, go to: [blog.mrsteam.com/wr](http://blog.mrsteam.com/wr)

# mr.steam®

Feel Good Inc.®

[www.mrsteam.com](http://www.mrsteam.com)

Products, information and specifications are subject to change without notice.  
Call Sales & Support at 1 800 76 STEAM (East Coast) or 1 800 72 STEAM (West Coast) for more information.

---

**mr.steam** Sussman-Automatic Corporation® • [www.mrsteam.com](http://www.mrsteam.com) • [hello@mrsteam.com](mailto:hello@mrsteam.com)

43-20 34th Street, Long Island City NY 11101 1 800 76 STEAM • 9410 S. La Cienega Blvd., Inglewood CA 90301 1 800 72 STEAM

Copyright © 2017 Sussman-Automatic Corporation | MrSteam and des., A Lifetime of Pleasure, AirTempo, AromaFlo, AudioSteam, AudioWizard, AutoFlush, AutoSteam, Butler Package, ChromaSteam, Clean Steam...Every Time, Club Therapy, Digital 1, Express Steam, Feel Good Inc., From Bathroom to Spa, HomeWizard, iButler, iGenie, iSizing, iSteam, iTempo, iTempo/Plus, Making Wellness a Way of Life, MusicTherapy, SmartSizing, Spa Package, Steam Genie, Steam on Demand, Steam@Home, SteamStart, SteamStop, SteamTherapy, Sussman, Tala, The Intelligent Steambath, Valet Package, and Virtual Spa System are registered trademarks of Sussman-Automatic Corporation.

PUR 100533B REV 04.21