

Optional Accessories

Part # 104485

Escutcheon

⚠ CAUTION INSTALLER:

Refer to Installation, Operation, and Maintenance Manual for Linear Steam Head Residential Model 104480, PUR103936" for installation of Linear Steam Head, 104480, prior installation of any optional accessories.

⚠ CAUTION

Because direct steam is very hot, the Escutcheon will be hot during the steam session, and will remain hot for a period of time after steam session.

Escutcheon is a decorative accessory and is available in (8) finishes. It's larger than Linear Steam Head's standard Faceplate and it's manufactured in solid brass.

Installation Instruction

- Apply silicone to the front of Linear Steam Head and firmly press the faceplate against the face of the steam head, (see fig 2).
- Secure the faceplate as required until the silicone sets.
- Apply silicone into the gap between the faceplate and the wall materials as required to create a moisture seal, (see fig. 3).

⚠ CAUTION

Failure to properly install Escutcheon may result in a leak within the wall cavity and cause problems associated with leaks, moisture and property damage from leaks.

Finish

- | | |
|---|--|
| <input type="checkbox"/> Brush Bronze | <input type="checkbox"/> Polish Brass |
| <input type="checkbox"/> Brush Nickel | <input type="checkbox"/> Polish Chrome |
| <input type="checkbox"/> Matte Black | <input type="checkbox"/> Polish Nickel |
| <input type="checkbox"/> Oil Rub Bronze | <input type="checkbox"/> Satin Brass |

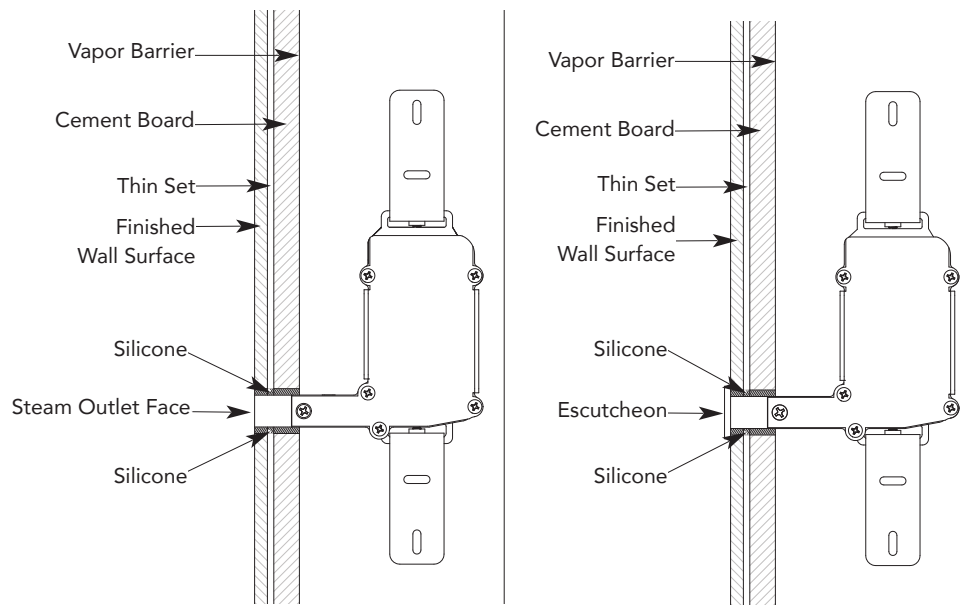


Figure 1

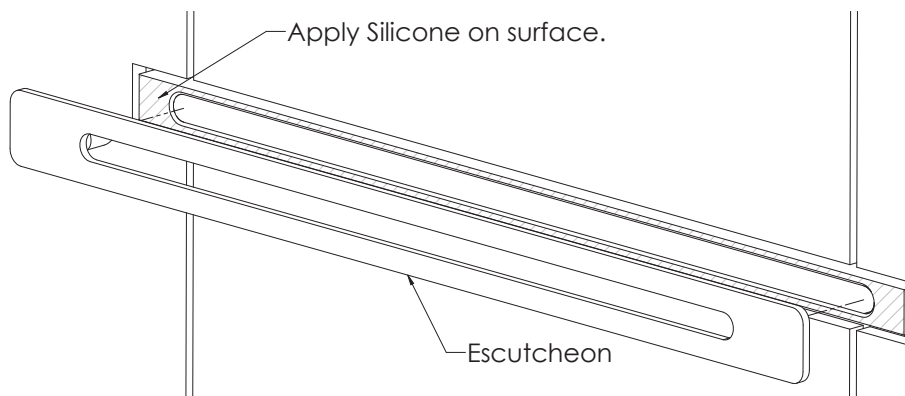


Figure 2

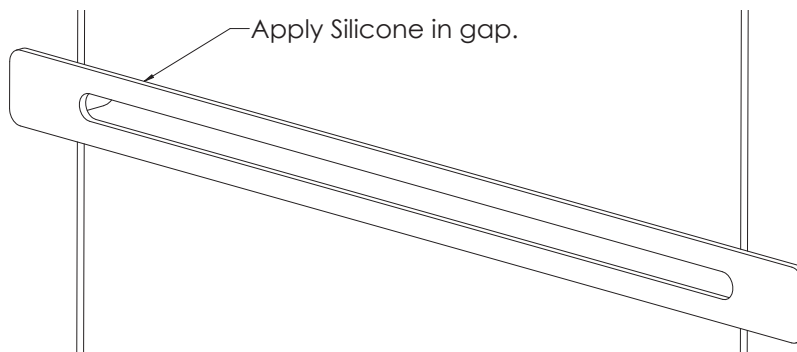


Figure 3

NOTE: Drawings are for illustrative purposes only. Consult with qualified designer, architect or contractor for steam room construction.

mr.steam® Sussman-Automatic Corp® hello@mrsteam.com www.mrsteam.com

PUR 103937 Rev 10.20

43-20 34th Street, Long Island City, NY 11101 tel: 1 800 76 STEAM

9410 S. La Cienega Blvd. Inglewood CA 90301 tel: 1 800 72 STEAM

(continue on next page)

Optional Accessories

Part # 104486

Finished Diverter

CAUTION Because direct steam is very hot, the diverter will be hot during the steam session, and will remain hot for a period of time after steam session. Never install, remove or adjust a diverter when the steam head is hot or if steam generator is turned on. Installing, removing or adjusting when the steam head is hot or if the steam generator is turned on may cause a burn hazard and personal injury.

Finished Diverter is used to reduce the steam emission zone as required to avoid contact between a steam bather and direct steam emissions. It is available in (8) finishes."

Installation Instruction

- Securely press the two rubber extensions into the opening of Linear Steam Head's Fae Plate or Escutcheon and push in firmly until the diverter is securely in place.

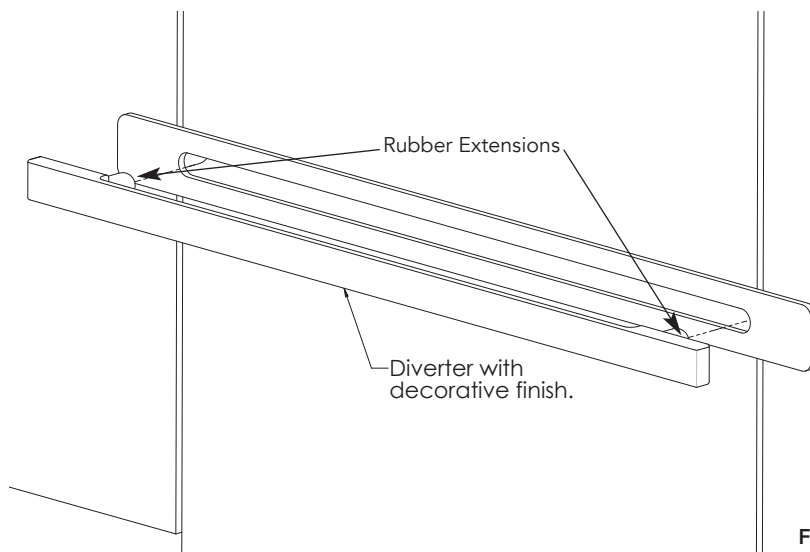
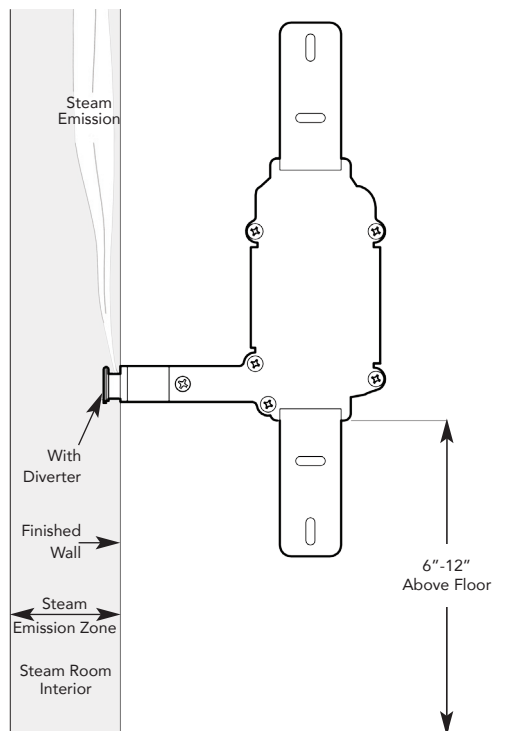
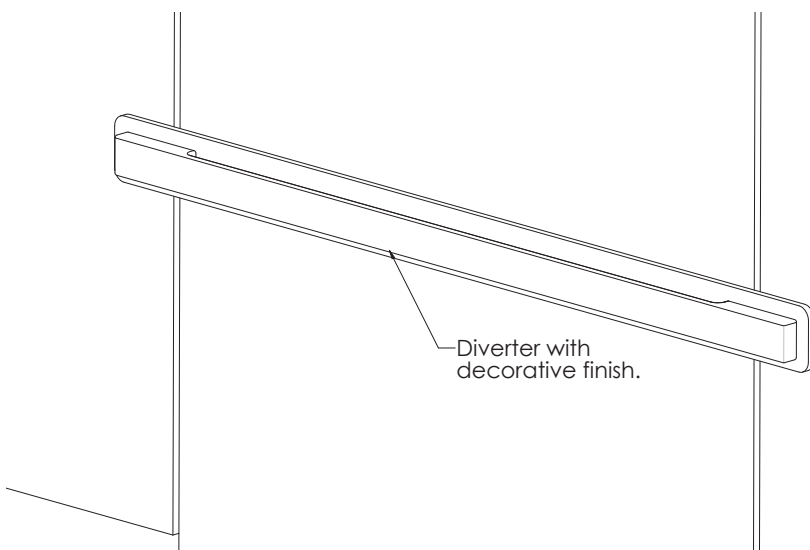


Figure 4



Finish

- | | |
|---|--|
| <input type="checkbox"/> Brush Bronze | <input type="checkbox"/> Polish Brass |
| <input type="checkbox"/> Brush Nickel | <input type="checkbox"/> Polish Chrome |
| <input type="checkbox"/> Matte Black | <input type="checkbox"/> Polish Nickel |
| <input type="checkbox"/> Oil Rub Bronze | <input type="checkbox"/> Satin Brass |

NOTE: Drawings are for illustrative purposes only. Consult with qualified designer, architect or contractor for steam room construction.

For Installation assistance please call Customer or Technical support:

East Coast 1-800-767-8326 West Coast 1-800-727-8326

To view an installation video please go to: www.mrsteam.com This video is for added visual assistance only.

Do not install the Linear Steam Head using the video. Use only these installation instructions for a safe and problem free installation.